

Three-phase On-grid String Inverter

SPI30K-B/SPI33K-B/SPI36K-B/SPI40K-B/SPI50K-B/SPI60K-B



Product Features

High efficient

- 3 level topology, maximum efficiency 99%
- 3/4 MPPT design

Safe and reliable

- Outdoor IP65 design, no derating below 3000m altitude
- All industrial grade electronic device, ensure 25 years full life circle running.

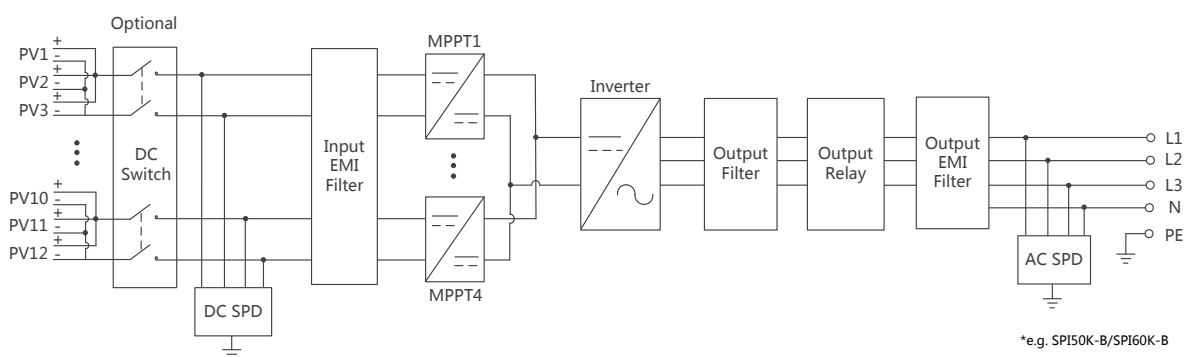
Intelligent management

- Intelligent fault wave recording, quick failure analysis I&V, intelligent diagnosis, accurate identification and positioning of abnormal PV panels
- Intelligent online upgrade function, easy upgrade and maintain
- Support RS485, Wifi, GPRS communication

Grid friendly

- Grid-connected current harmonics <3%, green adapts to grid
- Ultra wide grid voltage range

Function Diagram



Technical Specification

Items	SPI30K-B	SPI33K-B	SPI36K-B	SPI40K-B	SPI50K-B	SPI60K-B
DC Input						
Max. PV input voltage	1100Vdc					
Rated PV voltage	600Vdc					
Max. PV input current	60A (6x10A)	60A (6x10A)	60A (6x10A)	90A (9x10A)	120A (12x10A)	120A (12x10A)
No. of MPPTs	2	2	2	3	4	4
No. of PV strings per MPPT	3/3	3/3	3/3	3/3/3	3/3/3/3	3/3/3/3
MPPT voltage range	300Vdc~1000Vdc					
Starting voltage	350Vdc					
AC Input						
Rated AC output power	30kW	33kW	36kW	40kW	50kW	60kW
Max. output power	33kW	36.3kW	39.6kW	44kW	55kW	66kW
Rated AC output voltage	380/400/415Vac					
Rated output current	43.2A	47.6 A	52.0 A	57.8 A	72.2A	86.6A
Max. output current	47.6A	52.0A	57.7A	63.5A	79.4A	95.3A
Rated grid frequency	50Hz/60Hz					
Grid frequency range	45~55Hz/55~65Hz					
Power factor	>0.99 (full load)					
Adjustable power factor	0.8 (leading)~0.8 (lagging)					
THDi	<3% (rated power)					
Efficiency						
Max. efficiency	98.50%	98.52%	98.70%	98.80%	99.00%	99.00%
European efficiency	98.30%	98.30%	98.30%	98.30%	98.40%	98.45%
Protection						
Anti-islanding	Yes					
DC reversed connection	Yes					
AC short circuit protection	Yes					
Temperature protection	Yes					
Surge protection	Yes					
PV fault detect	Yes					
DC switch	Yes					
General						
Dimensions (W×H×D)	600×860×294mm					
Weight	65kg					
IP grade	IP65					
Noise level	<65dB					
Self-consumption at night	<1W					
Cooling type	Intelligent forced air cooling					
Altitude	3000m (>3000m derating)					
Operating temperature	-25°C~60°C (>45°C derating)					
Relative humidity	0~100%					
Display	LCD+LED					
Communication	RS485/WiFi (optional)/GPRS (optional)					
DC terminal	H4 Terminal					
AC terminal	OT Terminal					
Installation method	Wall-mounted					
Standard	EN62109-1, EN62109-2, EN 61000-6-4, UTE C15-712-1, IEC61727, IEC62116					

■ Specifications are subject to change without prior notice.

Kehua Hengsheng Co., Ltd.

Add: No. 457, Malong Road, Torch High-Tech Industrial Zone, Xiamen Fujian China
Tel: +86-592-5160516 Fax: +86-592-5162166 www.kehua.com

